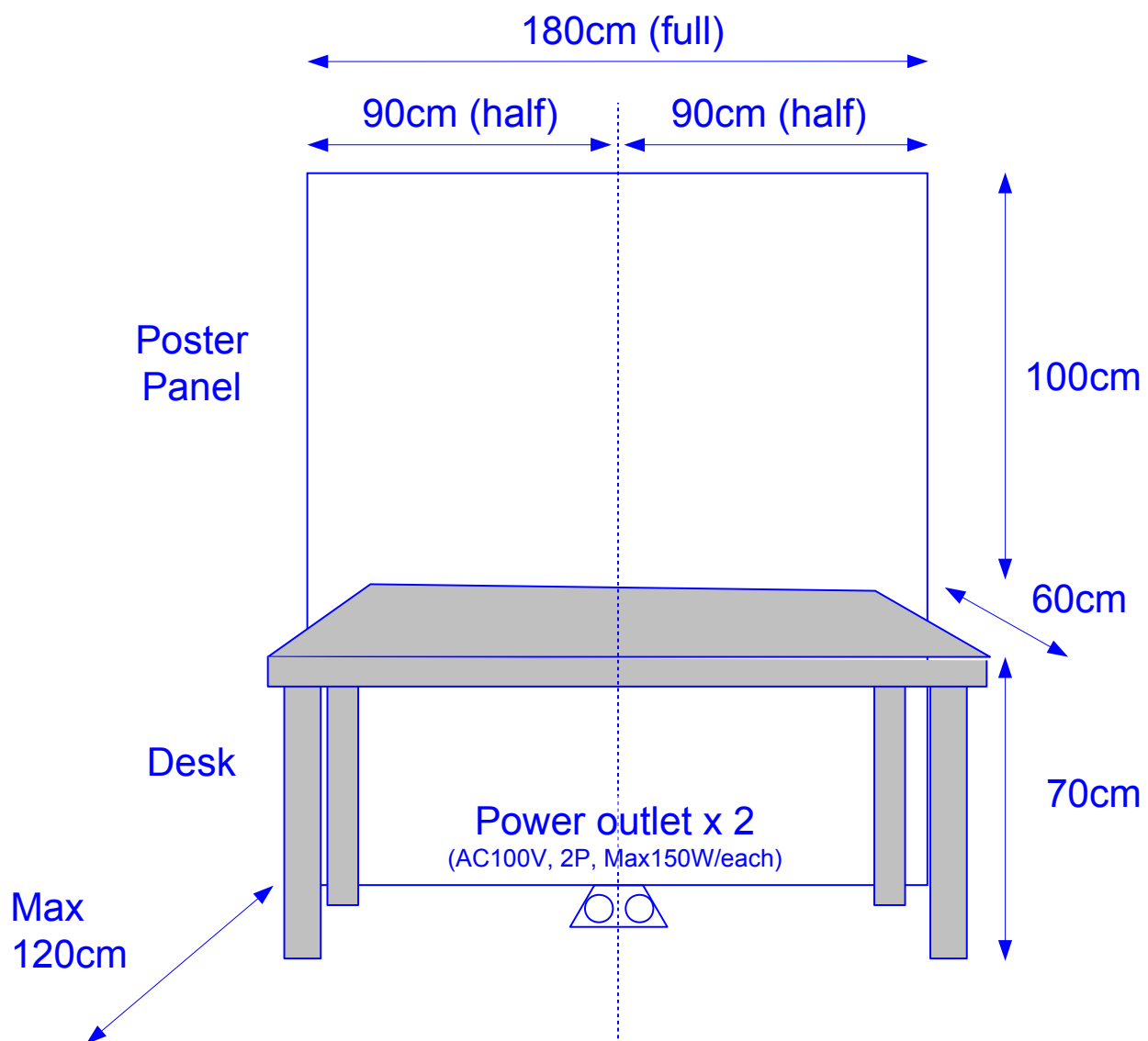


- Short Demo title (max 16 chars for teaser):
- Demo title:
  
- Primary Contact Person:
  - Name:
  - Affiliation:
  - E-mail:
  
- Abstract (max 200 words):
  
- Equipment checklist:
  - Booth size: **FULL / HALF** (\*\*select one\*\*)
  - Required total power consumption (AC100V, TypeA, 2P(non-earth)): **\*\*\*W** (must be declared, max 300W/full, 150W/half)
  - Use of WiFi connection: **YES / NO** (\*\*select one\*\*)
  - Any other requirements (**not guaranteed**):

Please note that it is very hard to fulfill special requirements due to limited condition of the venue.  
(i.e. dark or quiet place, over 300W power, large booth, ...)

### - Demo Plan - (half size booth is shared by 2 demos)



- Short Demo title (max 16 chars for teaser): **Wearable Reactor**
- Demo title: **Wearable Fusion Reactor**
  
- Primary Contact Person:
  - Name: **Emmett Brown**
  - Affiliation: **Institute of Future Technology**
  - E-mail: **doc@wearlab.org**
  
- Abstract (max 200 words): **Wearable fusion reactor can generate about 1.21 jigowatts from any kind of physical materials such as banana peel and leftover canned beer. Currently it requires laser for ignition.**
  
- Equipment checklist:
  - Booth size: **FULL**
  - Required total power consumption (AC100V, TypeA, 2P(non-earth)): **250W**
  - Use of WiFi connection: **NO**
  - Any other requirements: **anti-flush eyeglasses**

## - Demo Plan -

